

Gas Discharge Tube (GDT) Data Sheet

Features

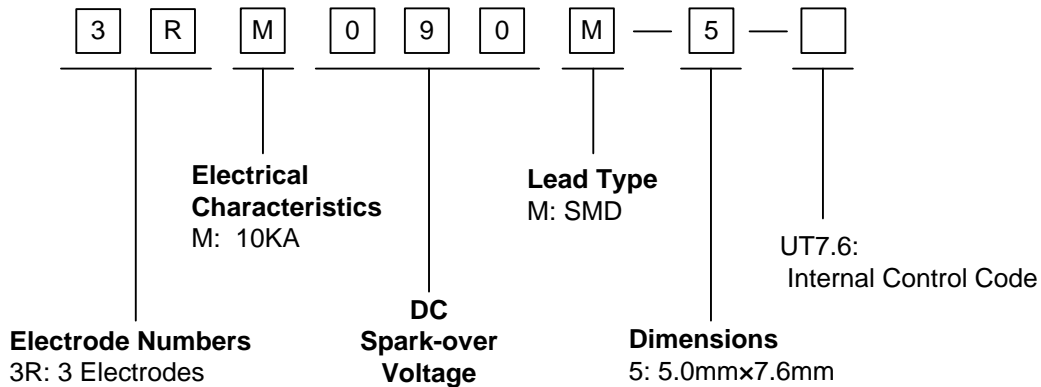
- Provide ultra-fast response to surge voltage from slow-rising surge of 100V/s to rapid-rising surge of 1KV/μs.
- Stable breakdown voltage.
- High insulation resistance.
- Low capacitance (≤2pF)
- High holdover voltage
- Large absorbing transient current capability.
- Micro-Gap Design
- Size: 5.0mm*7.6mm
- Storage and operating temperature: -40°C ~ +90°C
- Meets MSL level 1, per J-STD-020
- Safety certification: UL E244458



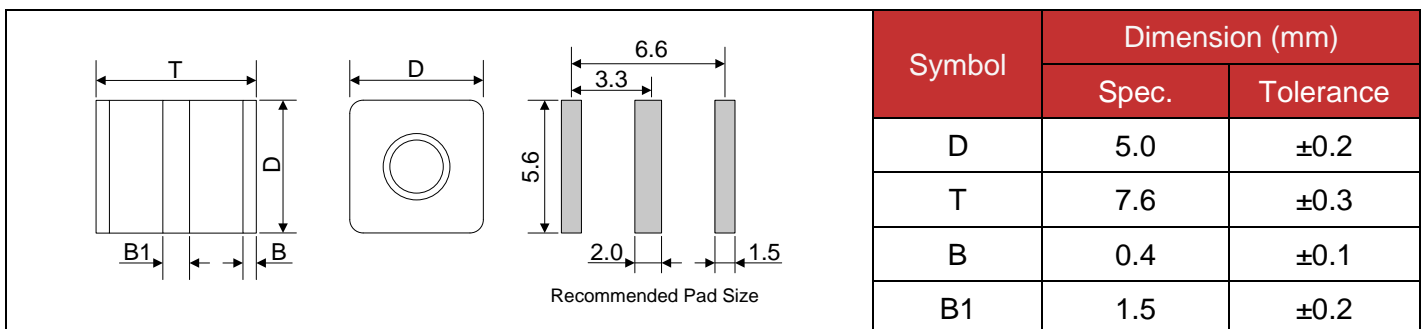
Applications

- Repeaters, Modems.
- Telephone Interface, Line cards.
- Data communication equipment.
- Line test equipment

Part Number Code



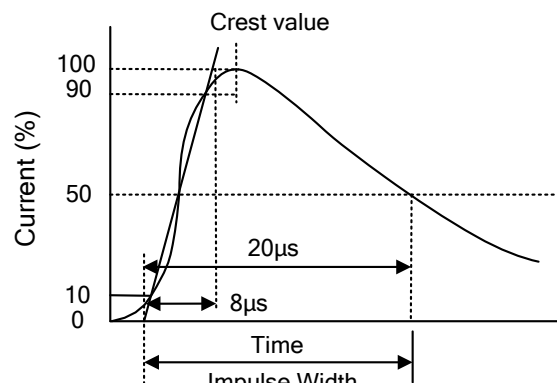
Dimensions



Electrical Characteristics

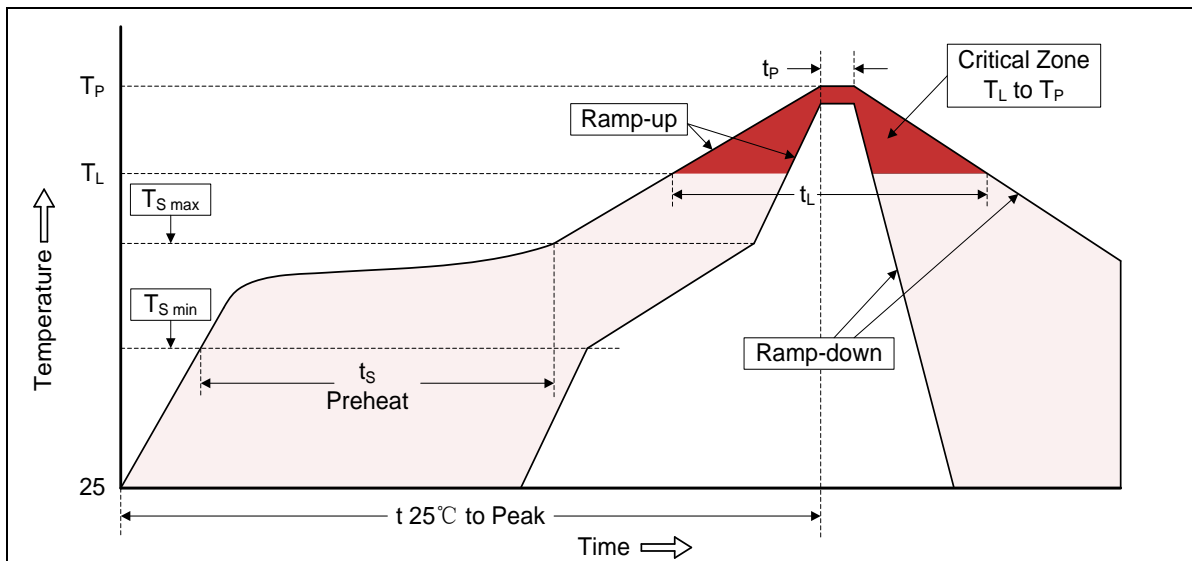
Model Number : 3RM090M-5				Part Number : 3RM090M-5-UT7.6				
DC Spark-over Voltage	Maximum Impulse Spark-over Voltage	Nominal Impulse Discharge Current	Alternating Discharge Current	Impulse Life	Minimum Insulation Resistance		Maximum Capacitance	Device Marking Code
100V/s	1000V/ μ s	8/20 μ s 10times	50Hz,0.2sec	10/1000 μ s 100A	Test Voltage	(G Ω)	1MHz	
(V)	(V)	(KA)	(A)	(times)	DC(V)		(pF)	
90 \pm 20%	600	10	10	300	50	1.0	2.0	

Electrical Ratings

Items	Test Condition/Description	Requirement
DC Spark-over Voltage	The voltage is measured with voltage ramp $dv/dt=100V/s$. Test is between each side electrode and center electrode.	To meet the specified value
Maximum Impulse Spark-over Voltage	The maximum impulse spark-over voltage is measured with voltage ramp $dv/dt=1000V/\mu s$. Test is between each side electrode and center electrode.	
Impulse Discharge Current	Maximum surge current that can be applied through center electrode with 8/20 μ s waveform, for 10 times with 3min interval time, which will be equally divided between each side electrode to center electrode. 	
Alternating Discharge Current	Rated RMS value of AC current at 50Hz, 0.2sec. for 10 times with interval time 3 min. Test is between each side electrode and center electrode.	
Insulation Resistance	The resistance of gas tube shall be measured between each side electrodes and center electrode.	
Capacitance	The capacitance of gas tube shall be measured between each side electrodes and center electrode. Test frequency: 1MHz	

Recommended Soldering Conditions

Reflow Soldering



Profile Feature	Pb-Free Assembly
Average ramp-up rate (T_L to T_P)	3°C/second max.
Preheat -Temperature Min ($T_{S\ min}$) -Temperature Max ($T_{S\ max}$) -Time (min to max) (t_s)	150°C 200°C 60-180 seconds
$T_{S\ max}$ to T_L -Ramp-up Rate	3°C/second max.
Time maintained above: -Temperature (T_L) -Time (t_L)	217°C 60-150 seconds
Peak Temperature (T_P)	260°C
Time within 5°C of actual Peak Temperature (t_p)	20-40 seconds
Ramp-down Rate	6°C/second max.
Time 25°C to Peak Temperature	8 minutes max.

Packaging

Tape	Dimension (mm)	
	Symbol	Spec. / Tolerance
	W	16.00 ±0.20
	P0	4.00 ±0.10
	P1	12.00 ±0.10
	P2	2.00 ±0.10
	D0	1.50 ±0.10
	E	1.75 ±0.10
	F	7.50 ±0.10
	A0	5.40 ±0.10
	B0	8.00 ±0.10
	K0	5.40 ±0.10
	t0	0.50 ±0.10
	D	330.00 ±1.00
	d	13.00 ±0.50
	L	20.00 ±0.50
	t	2.00 ±0.20
Quantity: 1000pcs		

Reel	Dimension (mm)	
	D	330.00 ±1.00
	d	13.00 ±0.50
	L	20.00 ±0.50
	t	2.00 ±0.20
	Quantity: 1000pcs	